

INSTALLATION INSTRUCTIONS

Break Glass Emergency door Release

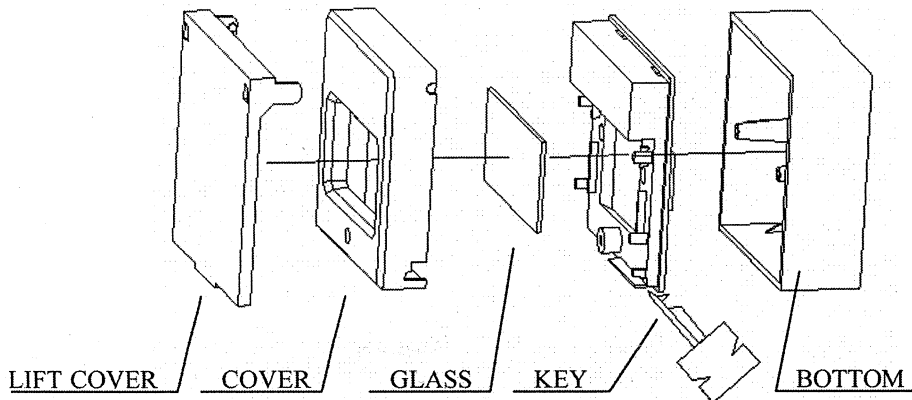
Technical Data :

Contact rating: 10 Amps@12/24VDC

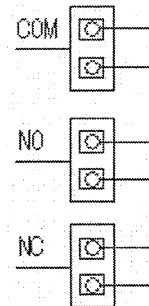
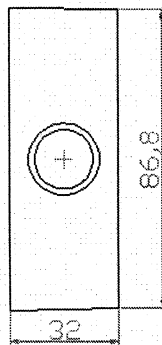
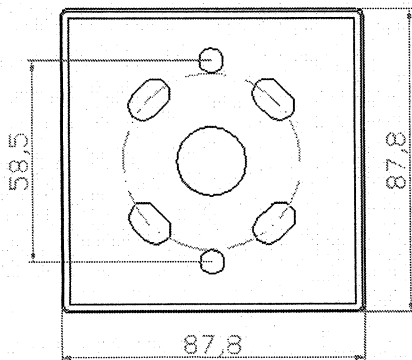
Contacts: SPDT

Size: 88mm*88mm*55mm

NET Weight :190g



Installation Information:



Testing:

